

INSTALLATION INSTRUCTIONS



HDX MODULAR GRILLE GUARD

APPLICATION:

2016-2018 Chevrolet Silverado 1500; 2019 Chevrolet Silverado 1500 LD

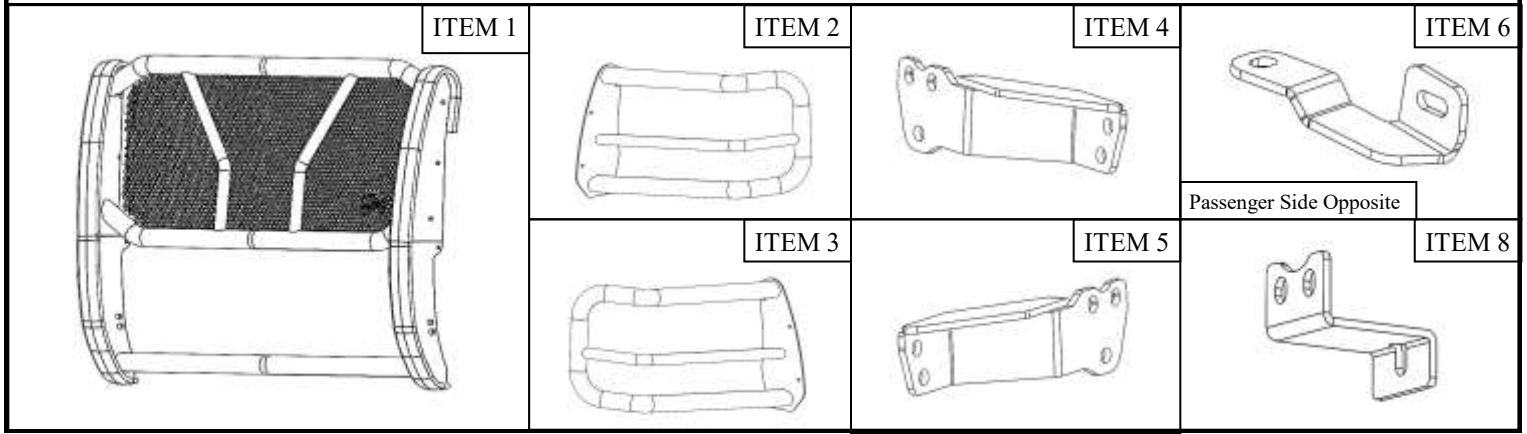
(Excl. w/ Sensors)

PART NUMBER:

57-23870, 57-23875

CONTENT			
ITEM	QUANTITY	DESCRIPTION	TOOLS NEEDED
1	1	HDX GRILLE GUARD BASE	13MM SOCKET
2	1	HDX DRIVER WING	15MM SOCKET
3	1	HDX PASSNGER WING	18MM SOCKET
4	1	DRIVER LOWER MOUNTING BRACKET	15MM WRENCH
5	1	PASSENGER LOWER MOUNTING BRACKET	18MM WRENCH
6	1	DRIVER UPPER SUPPORT BRACKET	SCREW DRIVER
7	1	PASSENGER UPPER SUPPORT BRACKET	UTILITY KNIFE
8	2	LOWER SUPPORT BRACKET	RATCHET
9	4	SHORT M12 HEX HEAD CAP SCREW	TORQUE WRENCH
10	2	LONG M12 HEX HEAD CAP SCREW	
11	6	M12 SPLIT LOCK WASHER	
12	12	M12 FLAT WASHER	
13	6	M12 HEX NUT	
14	2	M10 SOCKET BUTTON HEAD BOLT	
15	2	M10 BELLEVILLE WASHER	
16	2	M10 SERRATED FLANGE NUT	
17	4	M12 HEX SOCKET BUTTON HEAD BOLT	
18	4	M12 BELLVILLE WASHER	
19	4	M12 SERRATED FLANGE NUT	
20	10	M8 HEX SOCKET BUTTON HEAD BOLT	
21	10	M8 BELLVILLE WASHER	
22	10	M8 SERRATED FLANGE NUT	

ANTI-SEIZE LUBRICANT MUST BE USED ON ALL STAINLESS STEEL FASTENERS TO PREVENT THREAD DAMAGE AND GALLING



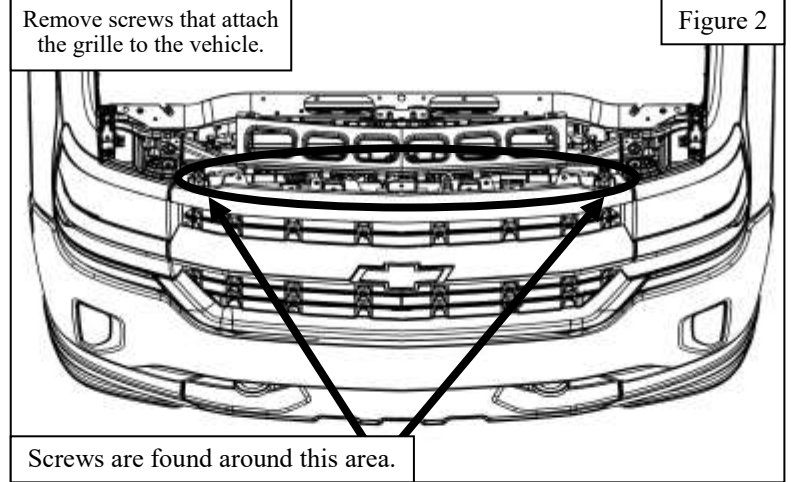
WESTIN Westin Automotive Products, Inc.
320 W. Covina Blvd
San Dimas, Ca. 91773

Thank you for choosing Westin products
for additional installation assistance please call
Customer Service (800) 793-7846
www.westinautomotive.com

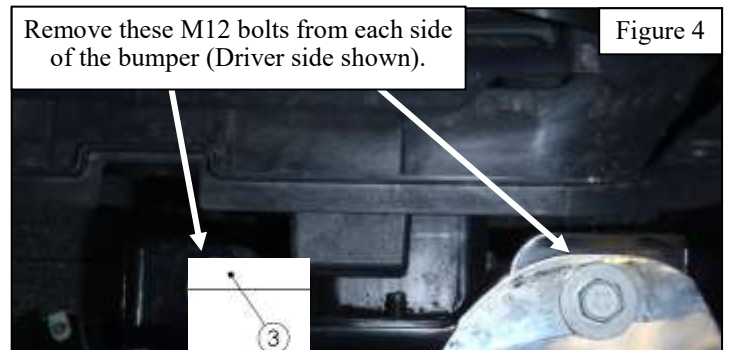
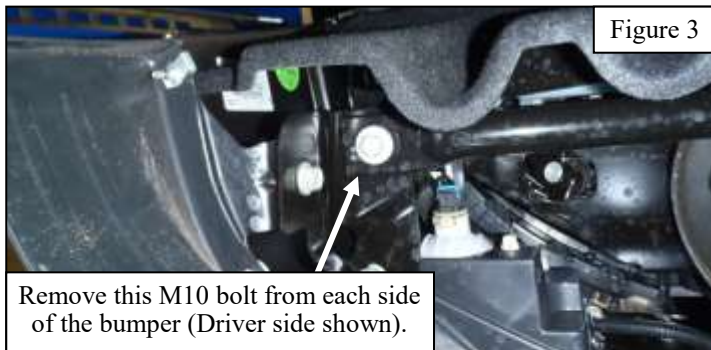
PROCEDURE

1. Remove contents from box, verify if all parts listed are present and free from damage.
Carefully read and understand all instructions before attempting installation.
Failure to identify damage before installation could lead to a rejection of any claim.

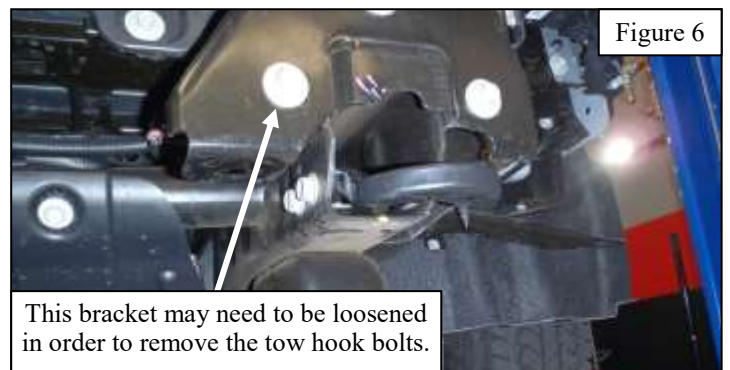
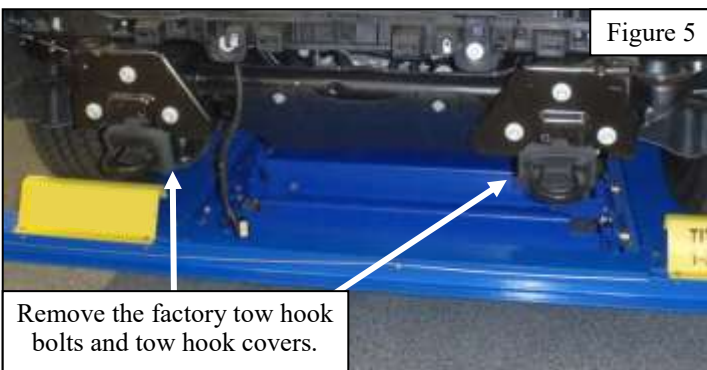
2. Remove the radiator cover to reveal screws that attach the grille to the front of vehicle. **See Figure 1.**
3. Remove the screws that attach the grille to the front of vehicle. Carefully pull the grille off the vehicle. **See Figure 2.**



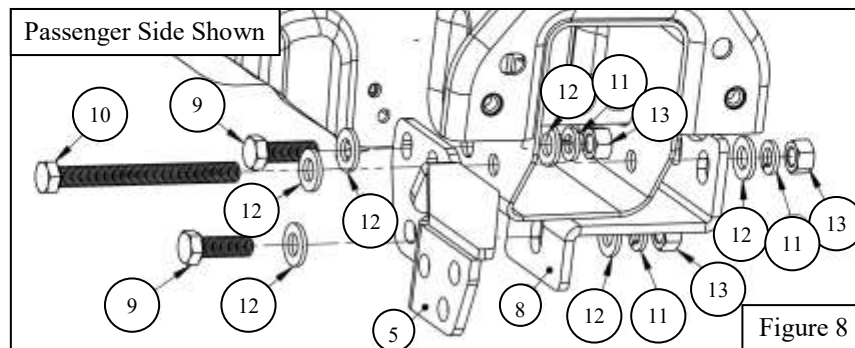
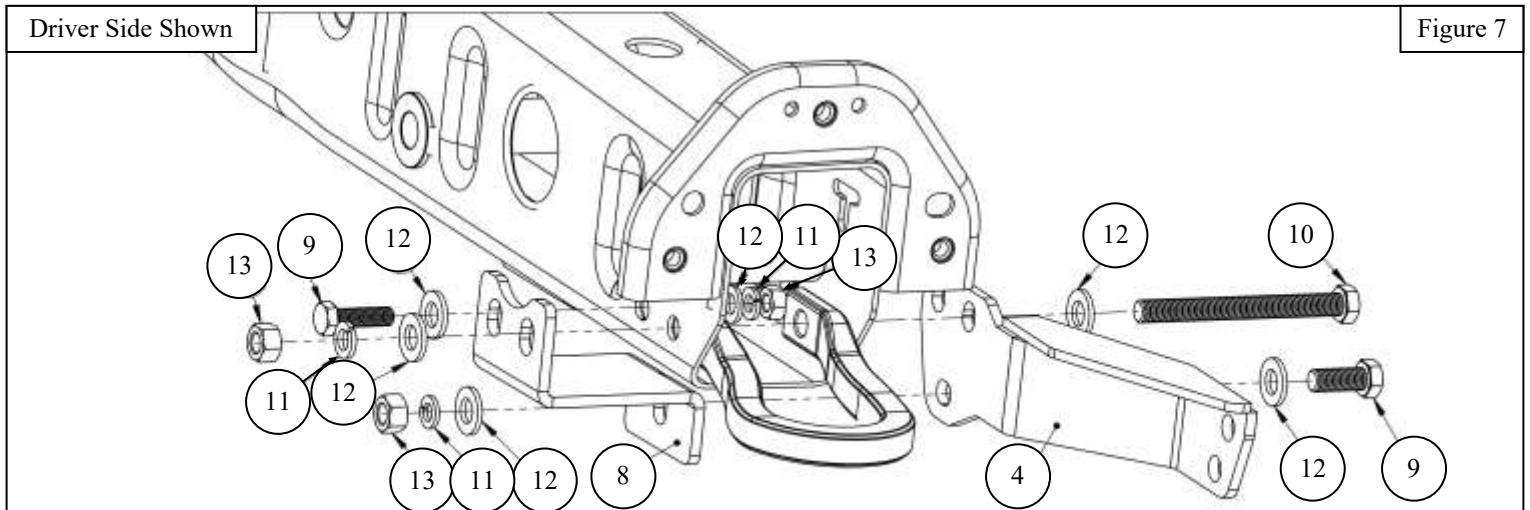
4. Remove the front bumper assembly. (This is only necessary for vehicles with factory tow hooks.) **See Figures 3 and 4.**



5. **For models with factory tow hooks:** Remove the tow hook bolts and the foam tow hook covers. Tow hooks can be reinstalled with application. **See Figures 5 and 6 for reference.**
6. **For models without factory tow hooks:** Trim the tow hook pockets in the front valance.



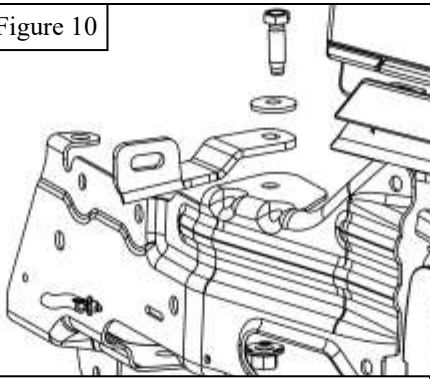
7. Locate (1) Lower Mounting Bracket (Item 4/5) and (1) Lower Support Bracket (Item 8). Loosely attach the Lower Mounting Bracket, Lower Support Bracket, and factory tow hooks to frame rail using the provided hardware: (1) long M12 hex head cap screw, (2) short M12 hex head cap screw (6) M12 flat washers, (3) M12 split lock washers, and (3) M12 hex nuts. See Figures 7 and 8 for reference. **Note:** Factory hardware may be re-used on vehicles with factory tow hooks.



8. Reinstall the OEM bumper if it was previously removed.+ Trim tow hook pockets as necessary.
9. Locate (1) Upper Support Brackets (Item 6/7). Remove factory hardware at the mounting location. Loosely install the Upper Support Brackets with the factory hardware from the mounting location. Adjust them so that they are approximately 20 -5/8" from the center of the bumper then torque the factory hardware to 50-55 ft-lb. See Figures 9, 10 and 11 for reference.
10. Repeat steps 7 and 9 for the other side.



Figure 10



Install the Upper Support Bracket using the factory hardware attached to the mounting location. Driver Side Shown.

Adjust the Upper Support Brackets to about 20-5/8" from the center of the bumper to the edge of Upper Support Bracket

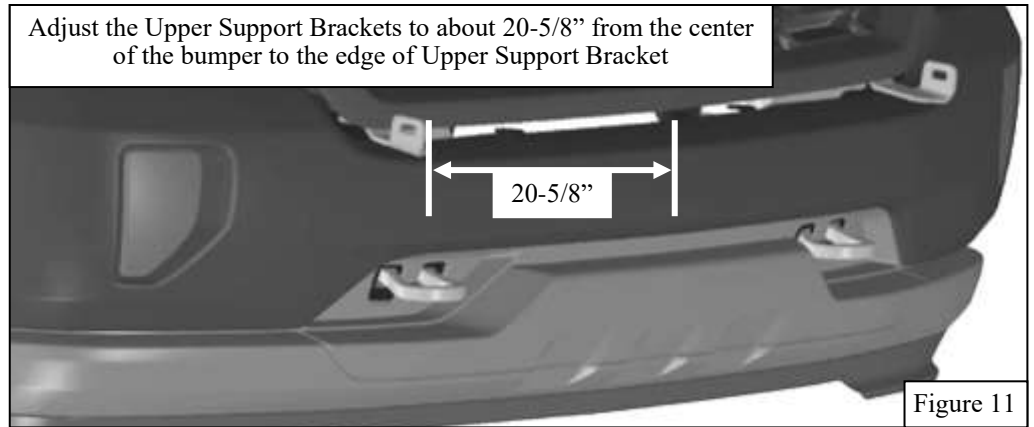
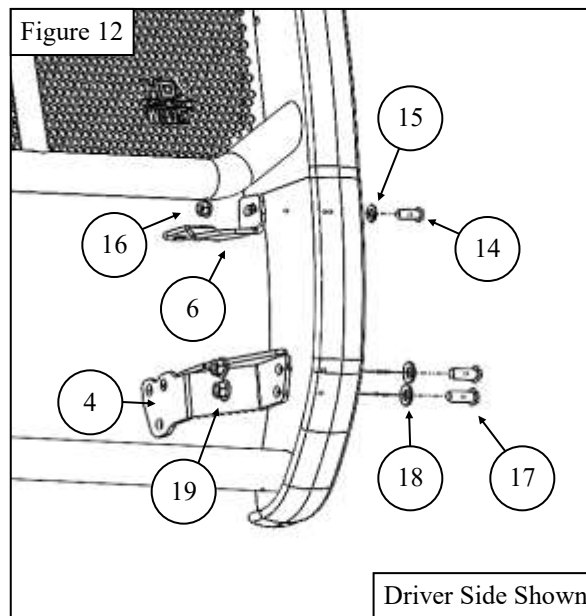


Figure 11

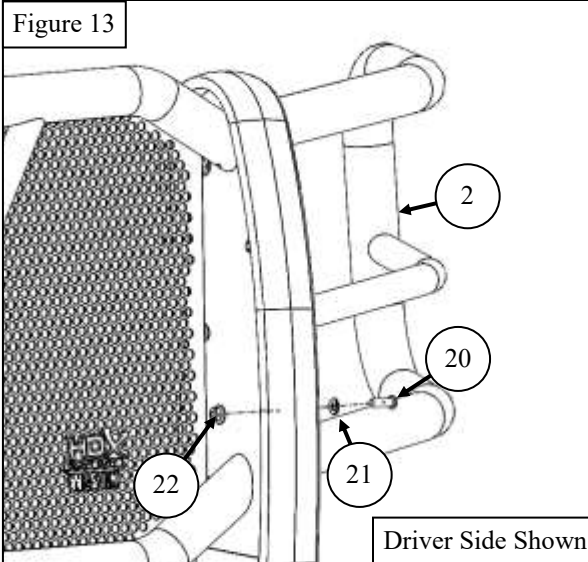
11. Re-install grille and radiator cover in the reverse order that they were removed.
12. With assistance loosely install the HDX Grille Guard Base (Item 1) onto the previously installed brackets. Loosely bolt the Upper Support Brackets (Items 6 & 7) onto the Grille Guard Base using the supplied M10 hardware (Items 14-16). Loosely bolt the Lower Mounting Brackets (Items 4 & 5) using the supplied M12 hardware (Items 17-19). See **Figure 12** for reference.

Figure 12



Driver Side Shown

13. Locate and install the HDX Driver and Passenger Wings (Items 2 & 3) using the supplied M8 hardware (Items 20-22). See **Figure 13** for reference.
14. Align and adjust the Modular Grille Guard assembly as necessary. Tighten and torque all fasteners as follows: M8 to 15-18 ft-lbs., M10 to 25-30 ft-lbs., M12 to 45-50 ft-lbs.



INSTALLATION COMPLETE



CARE INSTRUCTIONS

- REGULAR WAXING IS RECOMMENDED. DO NOT USE ANY TYPE OF POLISH OR WAX THAT MAY CONTAIN ABRASIVES.
- STAINLESS STEEL PRODUCTS CAN BE CLEANED WITH MILD SOAP AND WATER. STAINLESS STEEL POLISH SHOULD BE USED TO POLISH SMALL SCRATCHES.
- GLOSS BLACK FINISHES SHOULD BE CLEANED WITH MILD SOAP AND WATER.

WESTIN Westin Automotive Products, Inc.
320 W. Covina Blvd
San Dimas, Ca. 91773

Thank you for choosing Westin products
for additional installation assistance please call
Customer Service (800) 793-7846
www.westinautomotive.com
DATE: 07/18/2022



AUTOMOTIVE PRODUCTS, INC.



WARNING



Failure to follow these instructions could lead to death, personal injury, and / or property damage.

FASTENERS:

All Westin supplied fasteners must be utilized and installed in accordance with the installation instructions and apply torque to the specifications as defined. **DOUBLE CHECK ALL FASTENERS BEFORE INITIAL USE, AND PERIODICALLY IN THE FUTURE TO ENSURE PROPER FUNCTION AND SAFETY.**

DRILLING:

Most Westin products do not require drilling for installation. If drilling is defined as required, use caution when drilling a vehicle. **FAILURE TO REVIEW AN AREA TO BE DRILLED MAY RESULT IN PERSONAL INJURY AND/OR INJURY TO OTHERS AS WELL AS VEHICLE DAMAGE.**

EYE PROTECTION:

ALWAYS WEAR SAFETY GLASSES OR GOGGLES DURING THE INSTALLATION PROCESS TO AVOID PERSONAL INJURY.

MAXIMUM TOWING/CARRYING CAPACITY:

The Westin Receiver Hitches will have a visible tow rating label affixed directly on the product. User should never exceed the vehicle manufacturers maximum tow and weight rating regardless of the capacity of the hitch. **FAILURE TO FOLLOW THESE GUIDELINES WILL VOID THE WESTIN WARRANTY AND MAY RESULT IN PERSONAL INJURY AND/OR INJURY TO OTHERS AS WELL AS VEHICLE DAMAGE.**



Westin Automotive Products, Inc.
320 W. Covina Blvd
San Dimas, Ca. 91773